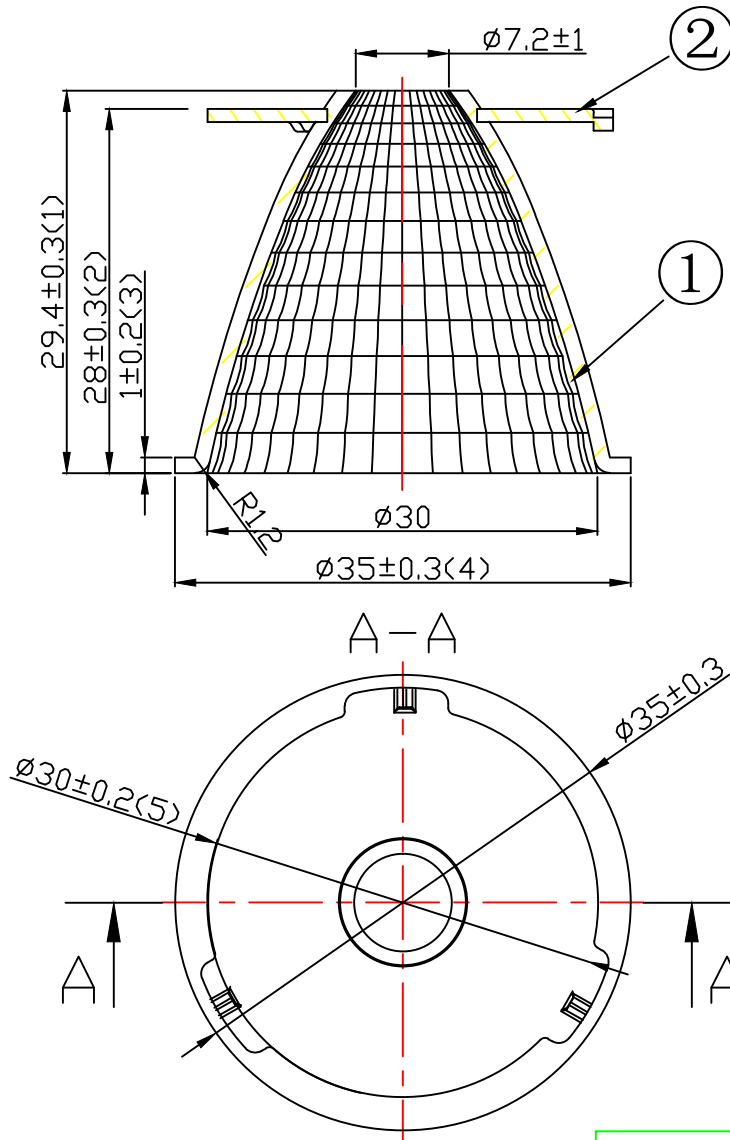
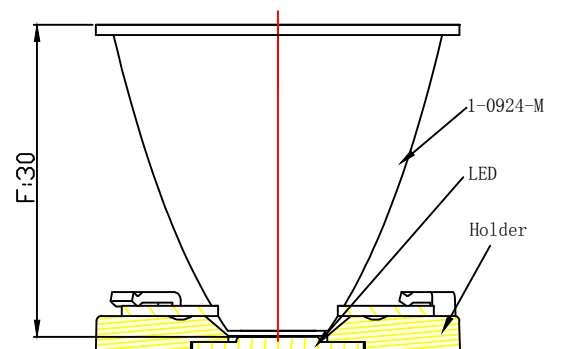


Product bill of material				
Serial number	material name	Material number	NO.	Describe
①	1-0951-H	94.01.0951.000	1	Material:T=1.2mm 1090AL
②	1-0924-M Metal Adaptar	97.76.754.00	1	Material:T=1.0mm 1060 H22

table for unmentioned tolerance in the drawing (unit: mm)			punch angle tolerance in the drawing (unit:degree)		
0-5	5-30	30-120	0-10	10-50	50-120
±0.15	±0.2	±0.5	±1°	±0.5°	±0.3°
120-250	250-400	400-700	120-250	250-360	360 above
±0.8	±1.5	±2	±0.2°	±0.166°	±0.083°



### 光学示意图



					<p><b>Nata</b><sup>®</sup> NATA Lighting Co.,Ltd</p>			
							Customer Item	D35深筒反光杯系列 36°
							Customer Code	NT
							Product Number	91.01.0924.000
Mark	Amended Times	Amended Content		Signature	Amended Date	Product Name	1-0924-M	
Controll Version	A0	Design Version	K0	Client Version	1:1			
Designer		Drawing by		Proportion				
Technology		Auditor		View				
Approval		Date	2020.01.15	Page	Total_Page_			